



Installation Instructions Wheel Stop Accessory for Music Library System

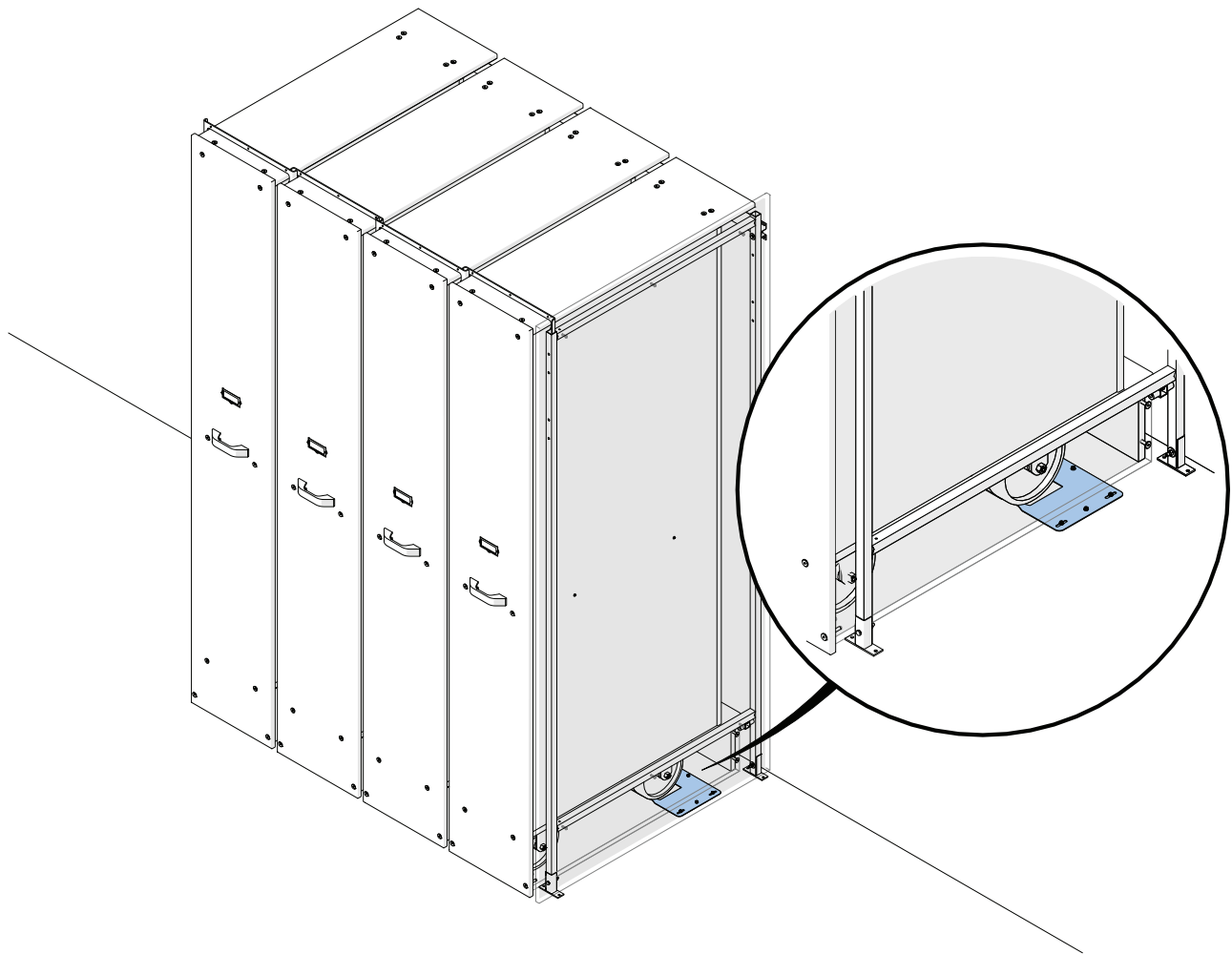
Basic Instructions only!
For more detailed product information, refer to the
Music Library System Assembly Instructions 173G075.

CAUTION

Make sure anyone installing these components has read and understands the instructions.

CAUTION

Always comply with Warnings or Cautions in the instructions or posted on the equipment.



Visit the Music Library System web page at wengercorp.com for more information.

Note: Please read and understand these instructions before assembling.

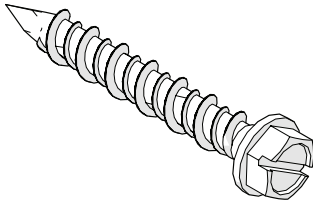
Note: If you need additional information, contact Wenger Corporation using the information below.

Purpose

The wheel stop accessory is designed to help prevent individual music library units from rolling forward on their own. This is caused by the floor sloping downward away from the wall. The slots in the plate provide a cradle to keep the rear casters in the storage position until the unit is intentionally pulled forward for access.

Floor Fasteners

This fastener is provided and can be used for both concrete and wood floors.



**0.25" x 1.75"
Hex Head
Concrete Anchor**

If using other fasteners, the installer must choose the appropriate fastener and follow the manufacturer's instructions.

Floor Fastener Guidelines:

For floors with wood construction, attachment should be made with sheet metal screws or lag screws that are 1/4" diameter and a minimum of 1-3/4" long. You will need to drill a pilot hole. Each wheel stop plate will require eight fasteners.

For concrete floors (non-seismic installations), attachment should be made with sheet metal screws or lag screws that are 1/4" diameter and a minimum of 1-3/4" long. You will need to drill a pilot hole. Each wheel stop plate will require eight fasteners.

For concrete floors (seismic installations), follow all details as shown on drawing 173A040.

Required Tools

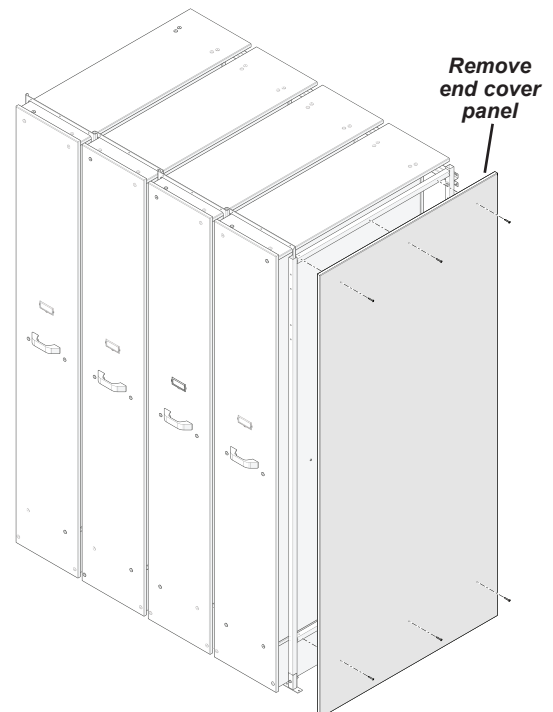
- Phillips screwdriver or power drill and bit (to remove end cover panel)
- Hammer drill and 3/16" bit (if anchoring to concrete)
- 7/16" Drill bit or open end wrench
- Tape measure
- Carpenter's square

Installation

1. Carefully remove the end cover panel by removing the six screws attaching it to the frame and set all aside until ready to reattach.

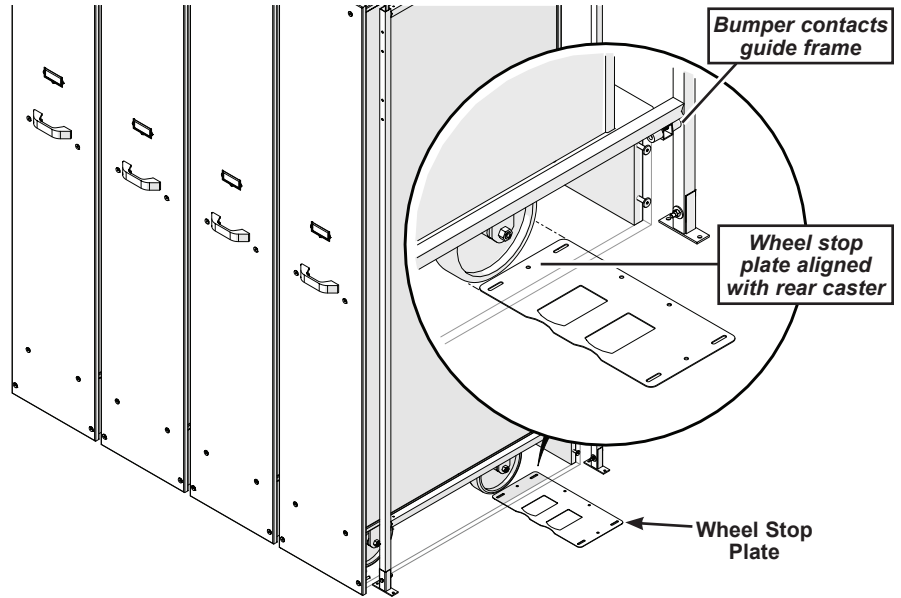
CAUTION

Take caution not to scratch or damage the end cover panel finish.

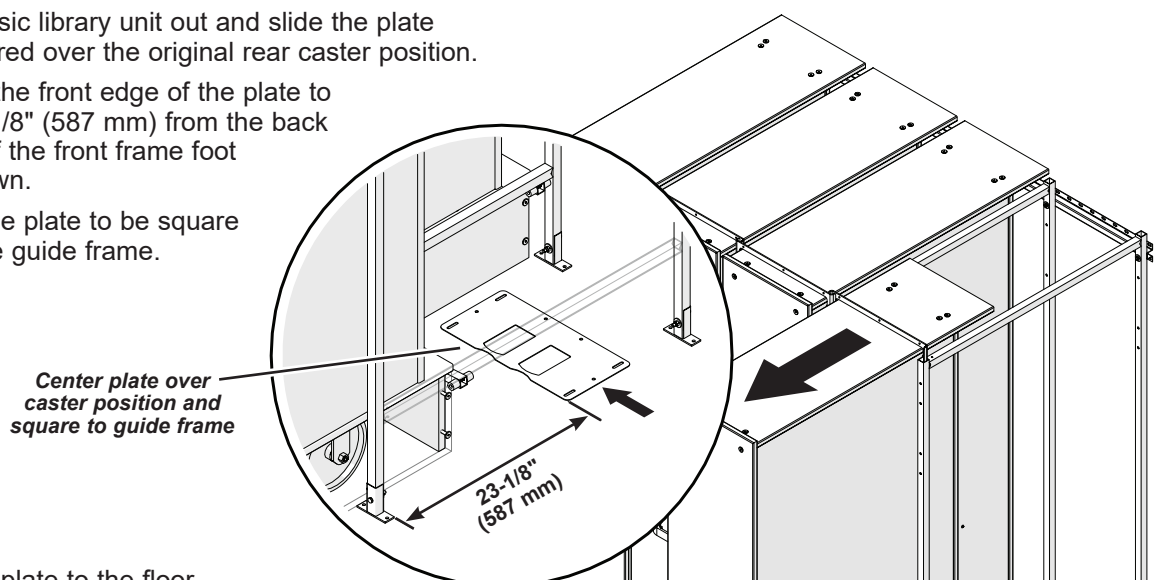


Installation (continued)

2. With an individual music library unit in the storage position (the rear bumpers are in contact with the guide frame as shown), place the wheel stop plate next to the rear casters.



3. Pull the music library unit out and slide the plate to be centered over the original rear caster position.
- Adjust the front edge of the plate to be 23-1/8" (587 mm) from the back edge of the front frame foot as shown.
 - Align the plate to be square with the guide frame.

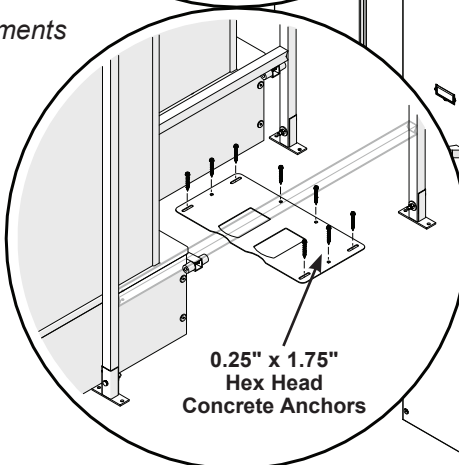


4. Secure the plate to the floor. *The plate has slots for fine adjustments if needed.*

If using the included fasteners:

- Mark the eight fastener locations according to the holes in the plate.
- At each fastener location, drill a 3/16" (5 mm) pilot hole 1" (25 mm) deep and attach using the included fasteners.

If using other fasteners, see "Floor Fasteners".



Installation (continued)

5. Push the music library unit back into the storage position to confirm that the rear casters rest in the slots as shown
6. Repeat steps 2-5 for each unit receiving a wheel stop accessory.
Any adjacent individual music library units will need to be pulled out for access.
7. Reattach the end cover panel.

